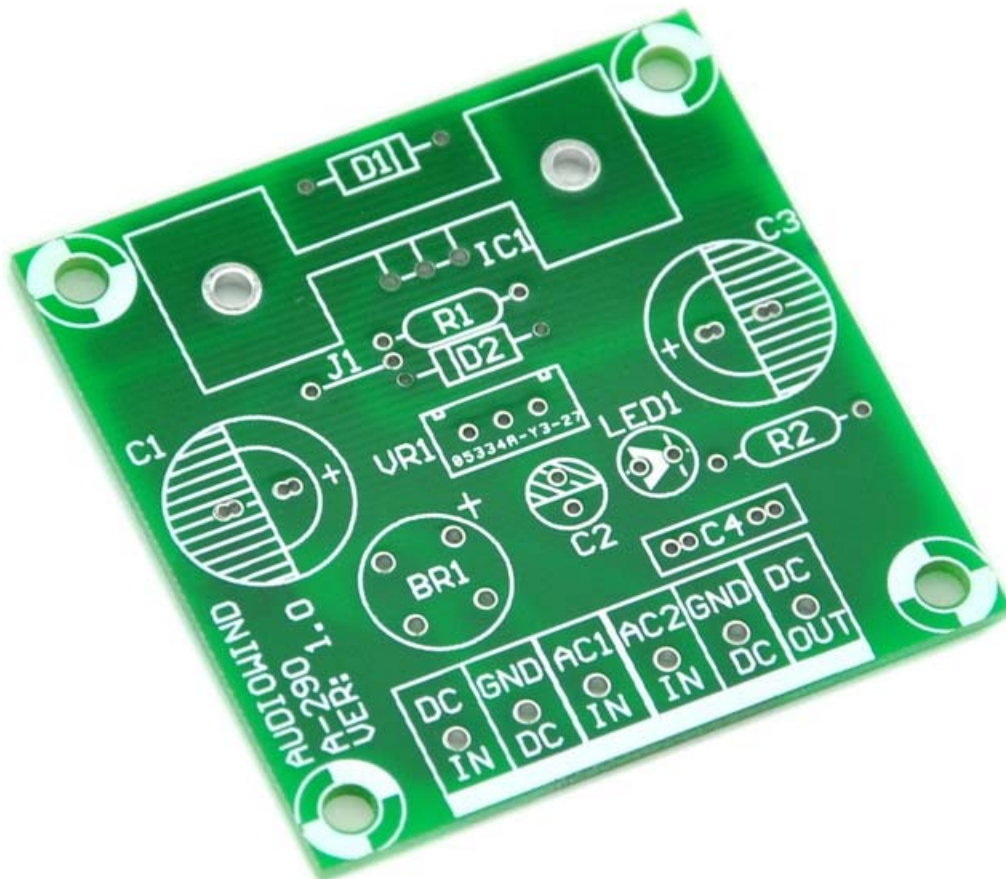


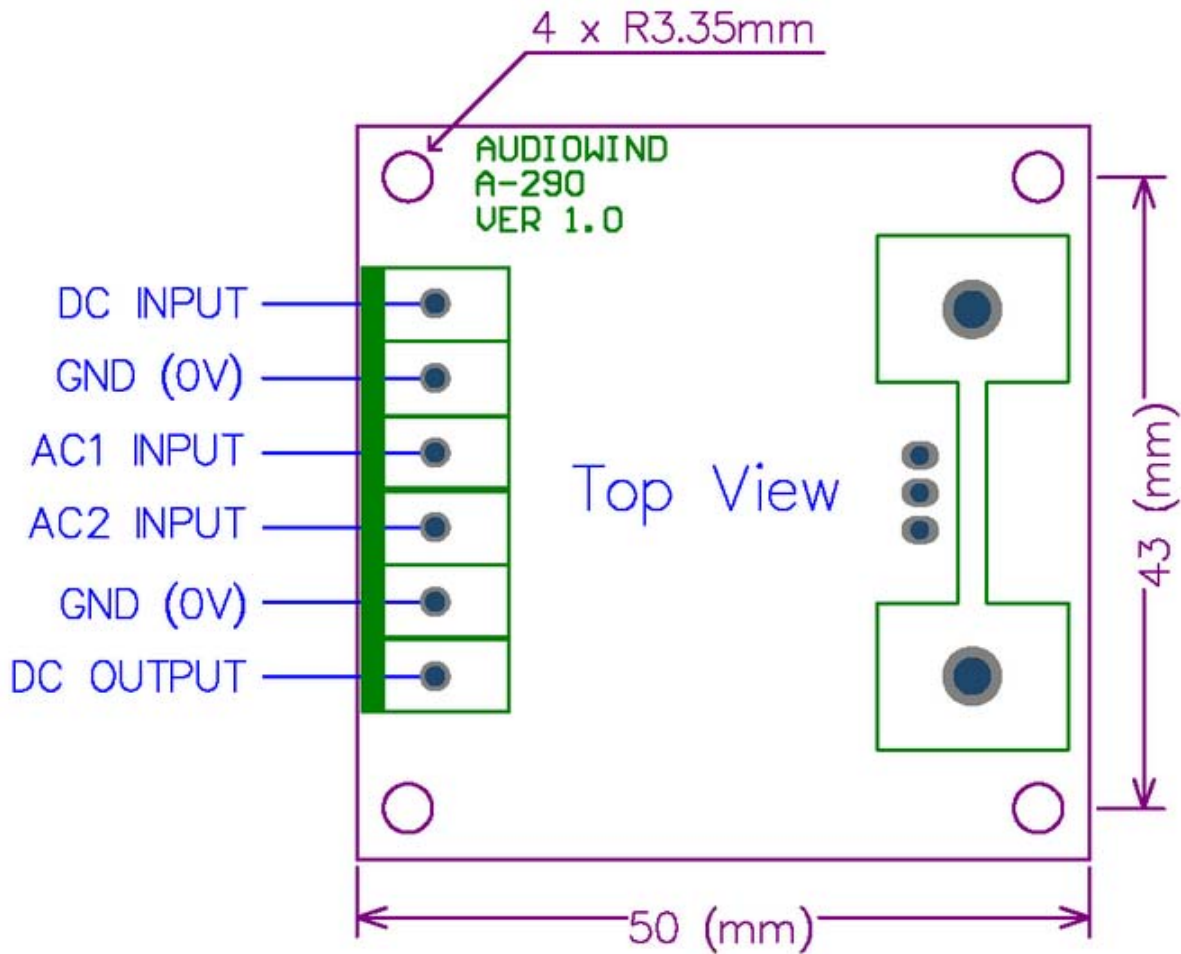
AudioWind Electronics-Salon

Negative Voltage Regulator PCB

Model: PCB-A290



PCB Size and Wring Diagram:



DC INPUT: Negative DC voltage input.

GND (0V): DC input ground (0V).

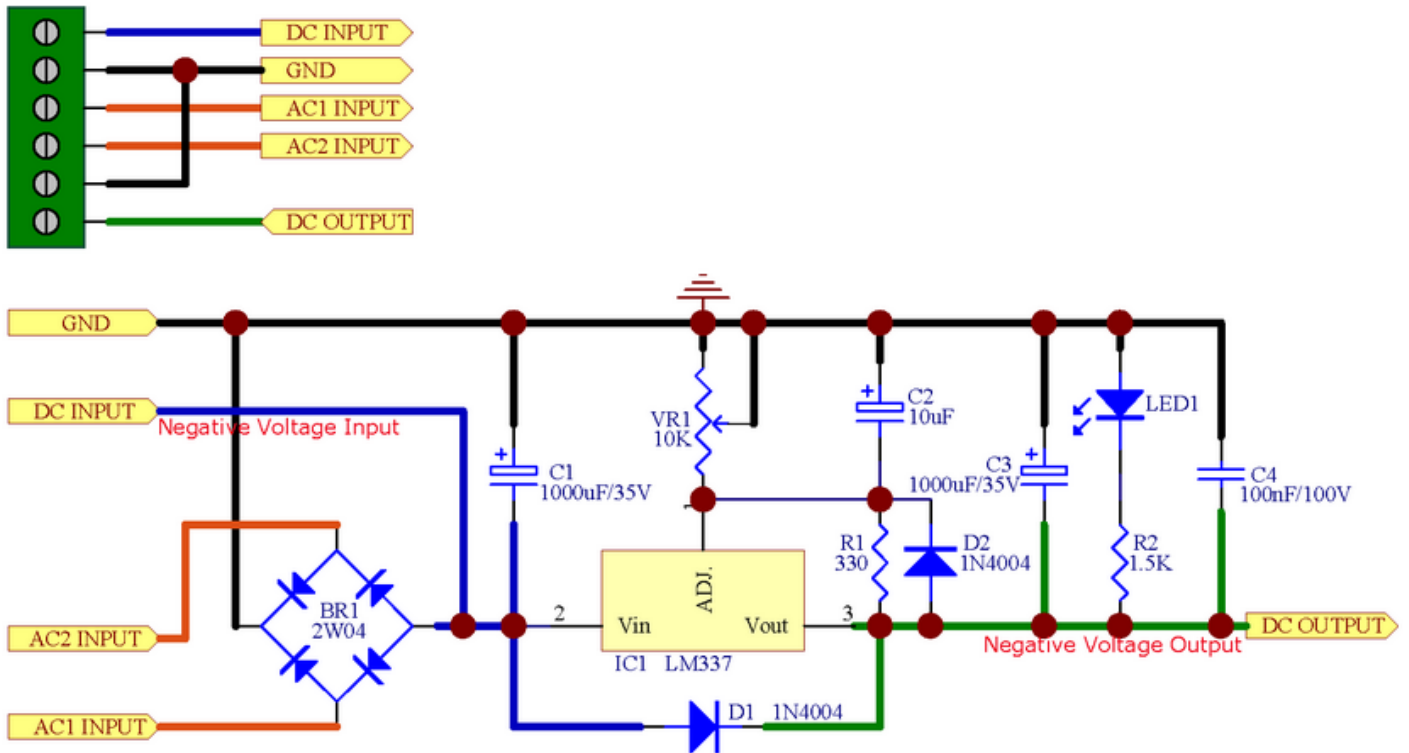
AC1 INPUT: AC input 1.

AC2 INPUT: AC input 2.

GND (0V): DC output ground (0V).

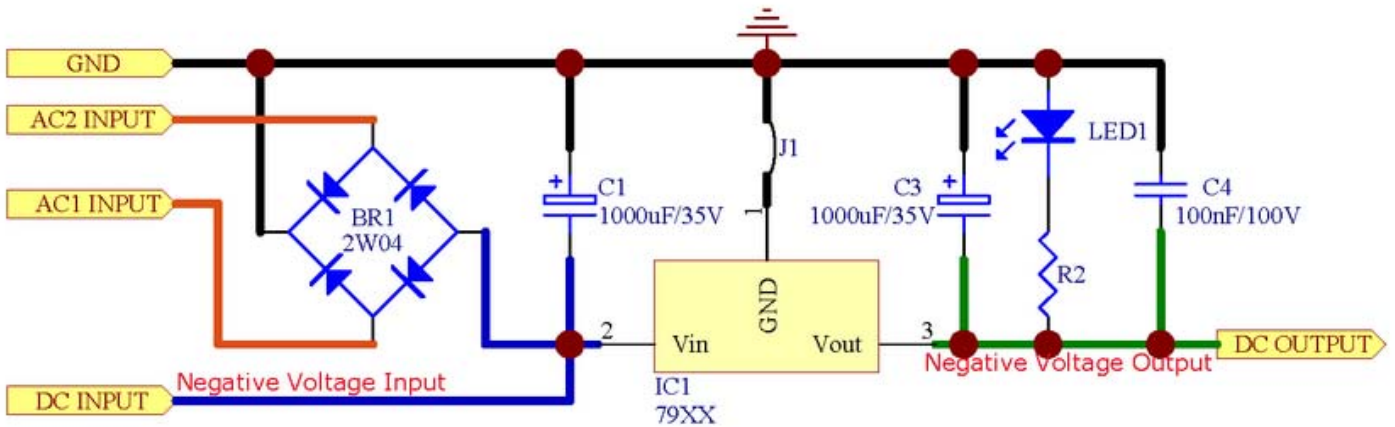
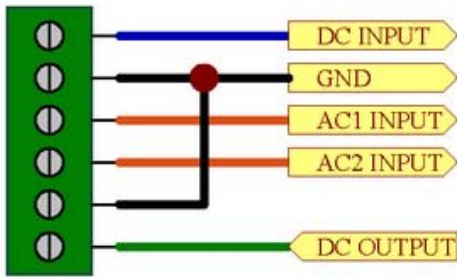
DC OUTPUT: Regulated negative DC voltage output.

Schematic for LM337:



Note: We recommend that you use normal brightness LED, R2 use 1.5K OHM 1/2W is suitable.

Schematic for 79xx IC:



Note:

J1 is a copper jumper wire or 0 OHM resistor.

We recommend that you use normal brightness LED.

For 7905, R2 use 470 OHM 1/2W.

For 7906, R2 use 470 OHM 1/2W.

For 7908, R2 use 1K OHM 1/2W.

For 7909, R2 use 1K OHM 1/2W.

For 7910, R2 use 1K OHM 1/2W.

For 7912, R2 use 1.5K OHM 1/2W.

For 7915, R2 use 1.8K OHM 1/2W.

For 7918, R2 use 2.2K OHM 1/2W.

For 7924, R2 use 3K OHM 1/2W.