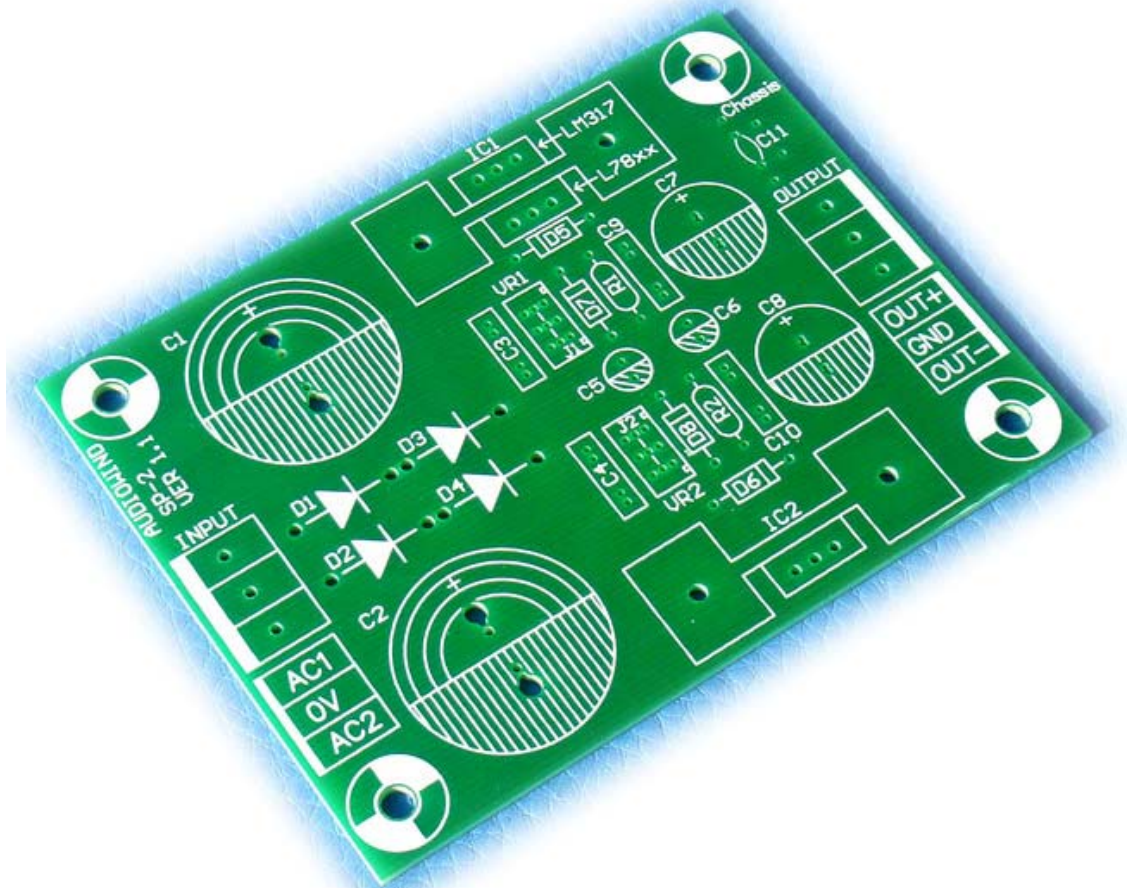


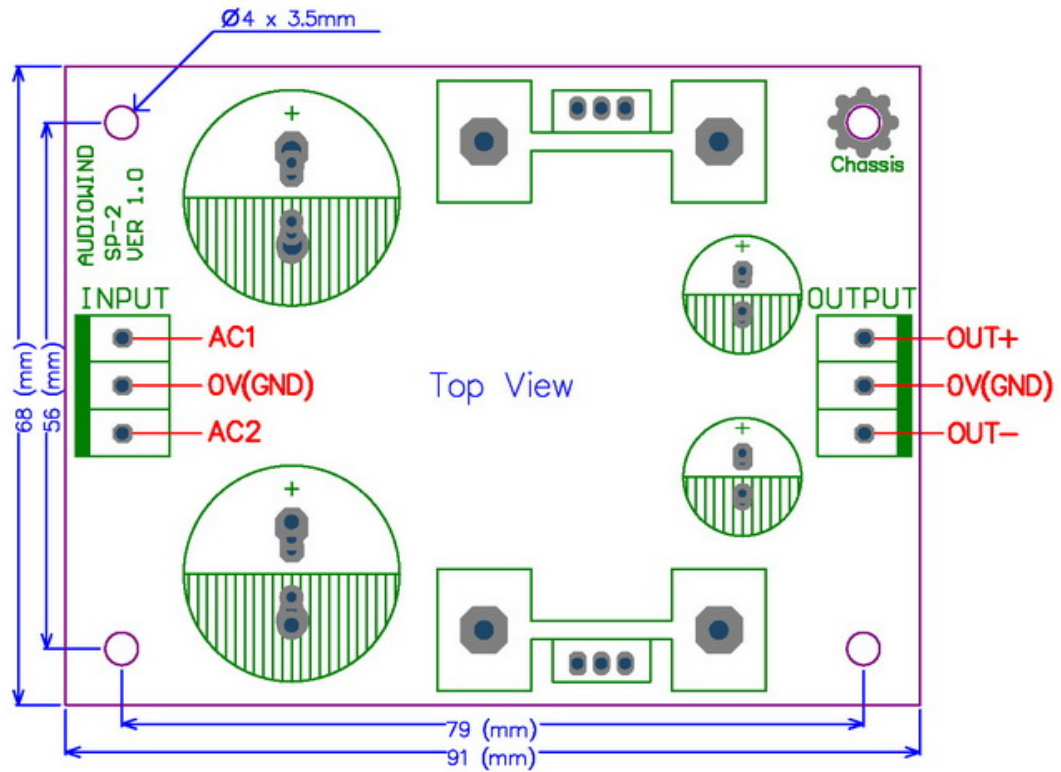
AudioWind Electronics-Salon

Positive/Negative Voltage Regulator PCB

Model: PCB-SP2(A-240)



PCB Size and Wiring Diagram:



INPUT:

AC1, Power transformer input phase 1.

0V(GND), Power transformer input center tap.

AC2, Power transformer input phase 2.

OUTPUT:

OUT+, Positive voltage output.

0V(GND), ground / 0V.

OUT-. Negative voltage output.

Chassis:

Connect to chassis, optional.

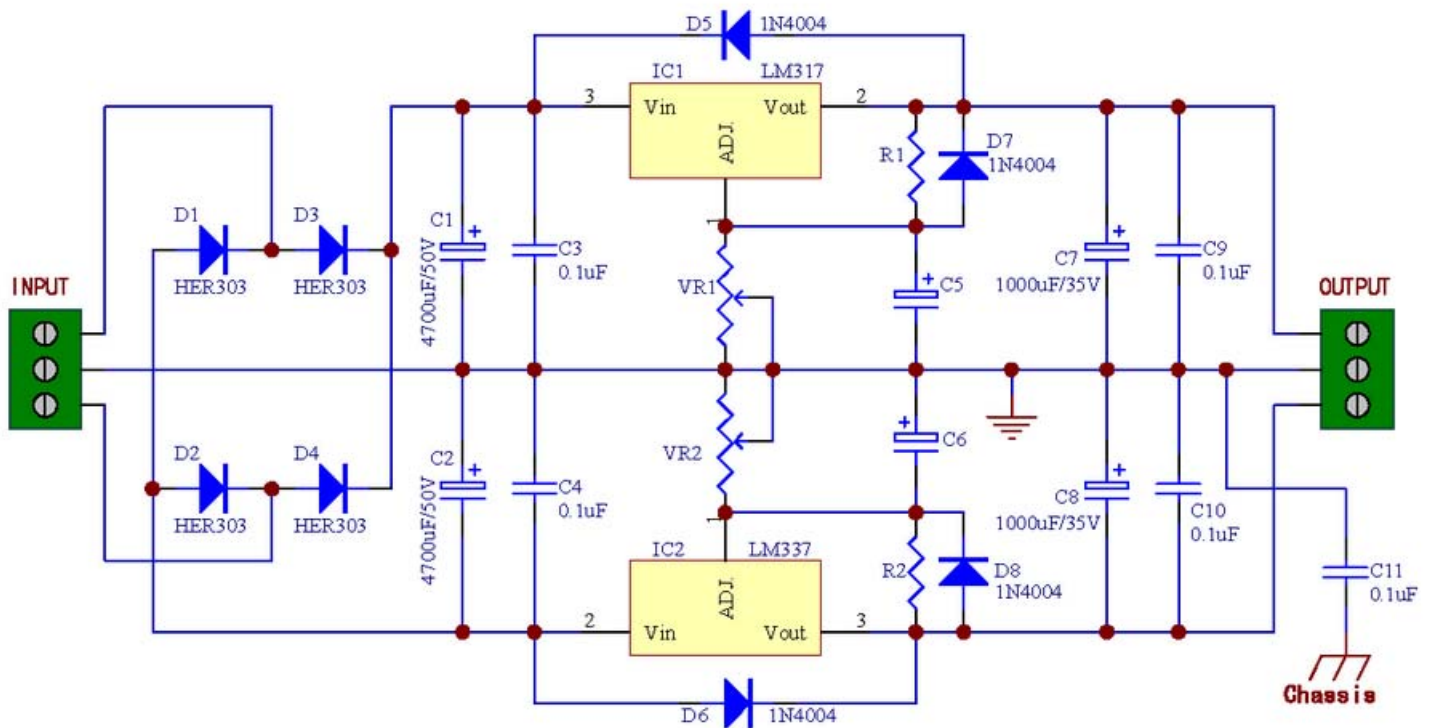
Parts list, for LM317 / LM337 version:

Position	Quantity	Part (Recommend)
D1~D4	4	HER303, or SR3100 / SR5100 / 1N5408
C1, C2	2	Rubycon USC 4700uF/50V capacitors
C3, C4, C9~C11	5	100nF/100V MKT polyester capacitors
D5~D8	4	1N4004, or 1N4007 diodes
VR1,VR2	2	Bourns 3296W type 10K ohm trimmers
C5,C6	2	Rubycon YXF 10uF/50V capacitors
C7,C8	2	Rubycon YXF 1000uF/35V capacitors
R1,R2	2	1/4W metal film 330 ohm resistors
IC1	1	LM317 TO-220 regulator IC
IC2	1	LM337 TO-220 regulator IC
INPUT,OUTPUT	2	3 pole pitch 5.0mm terminal blocks
Other, heatsink	2	For LM317, LM337 IC.

Parts list, for 78xx / 79xx versions:

Position	Quantity	Part (Recommend)
D1~D4	4	HER303, or SR3100 / SR5100 / 1N5408
C1, C2	2	Rubycon USC 4700uF/50V capacitors
C3, C4, C9~C11	5	100nF/100V MKT polyester capacitors
D5,D6	2	1N4004, or 1N4007 diodes
J1,J2	2	Pitch 5.08mm copper jumper wires
C7,C8	2	Rubycon YXF 1000uF/35V capacitors
IC1	1	78xx TO-220 regulator IC
IC2	1	79xx TO-220 regulator IC
INPUT,OUTPUT	2	3 pole pitch 5.0mm terminal blocks
Other, heatsink	2	For 78xx, 79xx IC.

Schematic for LM317 / LM337:



We recommend:

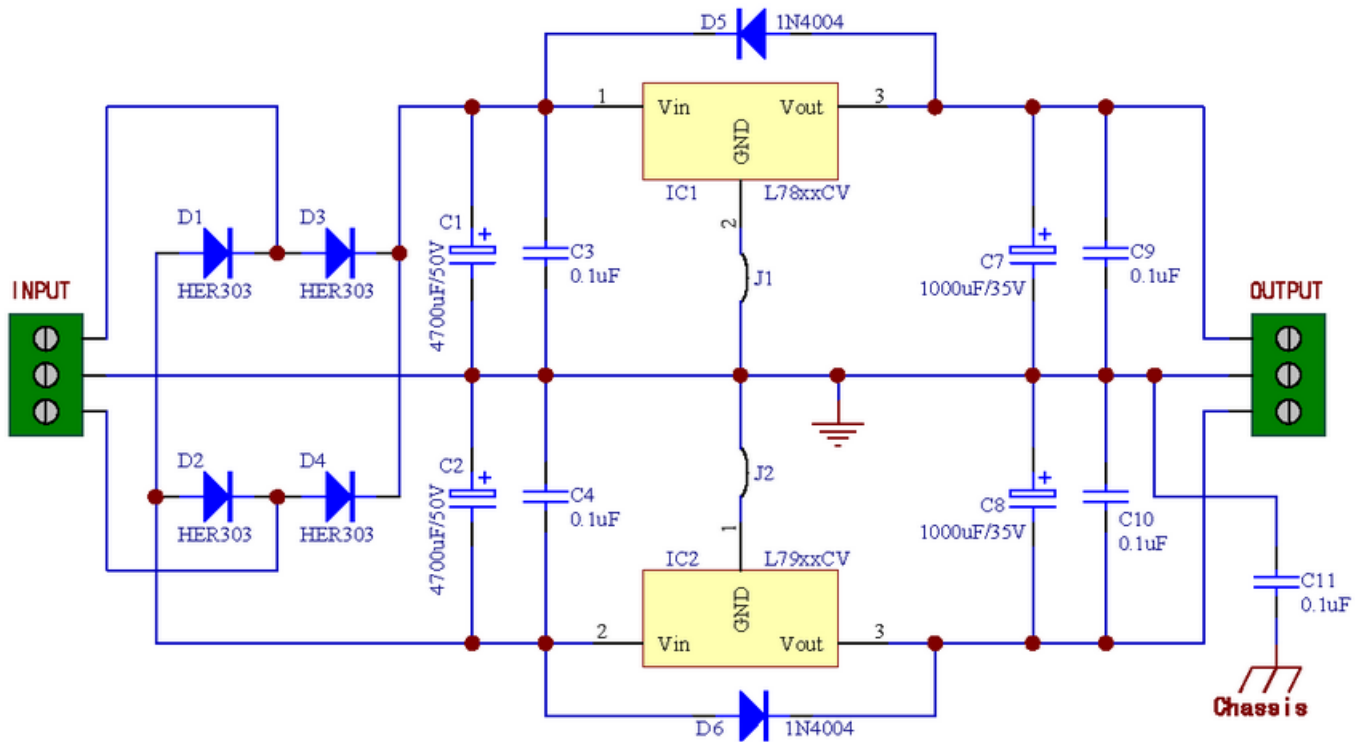
VR1, VR2: 10K OHM 3296 type trimming potentiometers.

R1, R2: 330 OHM 1/4W resistors.

C5, C6: 10µF/50V electrolytic capacitors.

Input and output connectors: 3 poles pitch 5.0mm/0.197" terminal block.

Schematic for 78xx / 79xx IC:



Note:

J1 J2, copper jumper wires or 0 OHM resistors.

Input and output connectors: 3 poles pitch 5.0mm/0.197" terminal block.